

%

&

(

)

*

+

F9J "

89G7 F-DHC B

85H9

5DDFC J 98

5

5

6

6

7

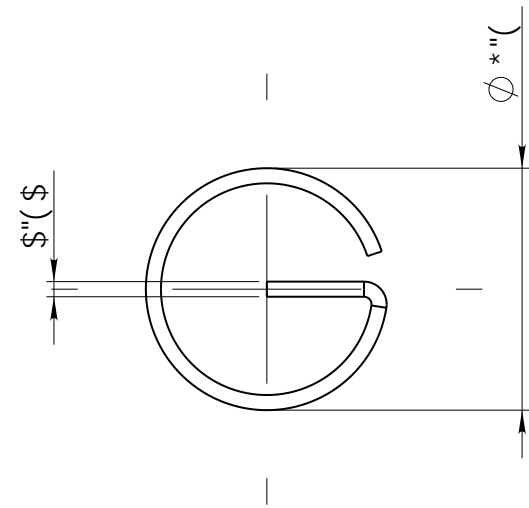
7

8

8

9

9



BC H9'
5@@Hk 9'8 A 9BG€ BG' C B 'Hk -G'8F5K -B;
G< C K 'Hk 9'7 F7 @D' B '±G' B G9FH98 'G'5H9

⑦ A UWX]bY '7 cbWXdh@X
* :]Y`Xj]Yk ž'6Uf<]`
7 Ua VfX[Yž'7 6&' ; GL"
l b]hX '?'b[Xca
HY` Ž((f\$E'%) ('+, \$++&
a]Y4 a UWX]bYVc bWXd hg"Vc "i _

5`X]a Ybg]cbgUfy]b'a a
i bYggcH Yfk]g' gUWX"
Bc XYWd' ± '\$) a a
%XYWd' ± '\$&a a
&XYWd' ± '\$%a a
' XYWd' ± '\$\$) a a
Ub[i 'Uf. ± '\$&
8C BCHG7 5@



' fX'5b['Y

0: A0' E
A FB

0@a0' E
BC H7 <9? 98

0f] [c' a A0' a0'

T [a^] a0' a0' ^
d] g' c b W] fW] d

0: a0' E
\$&# \$&# & \$ \$ -

U0: a0' E
) . %

T a0' a0' E
« '\$' ('D=BC 'K #9

Va] a0' E
; I 8; CB'D-B'7 #7 @D

0: a0' E

B5H F5@

0: A0' E

6H%)

U0: a0' E
{ a^] E

5 (%cZ%

%

&

(

)

*

+