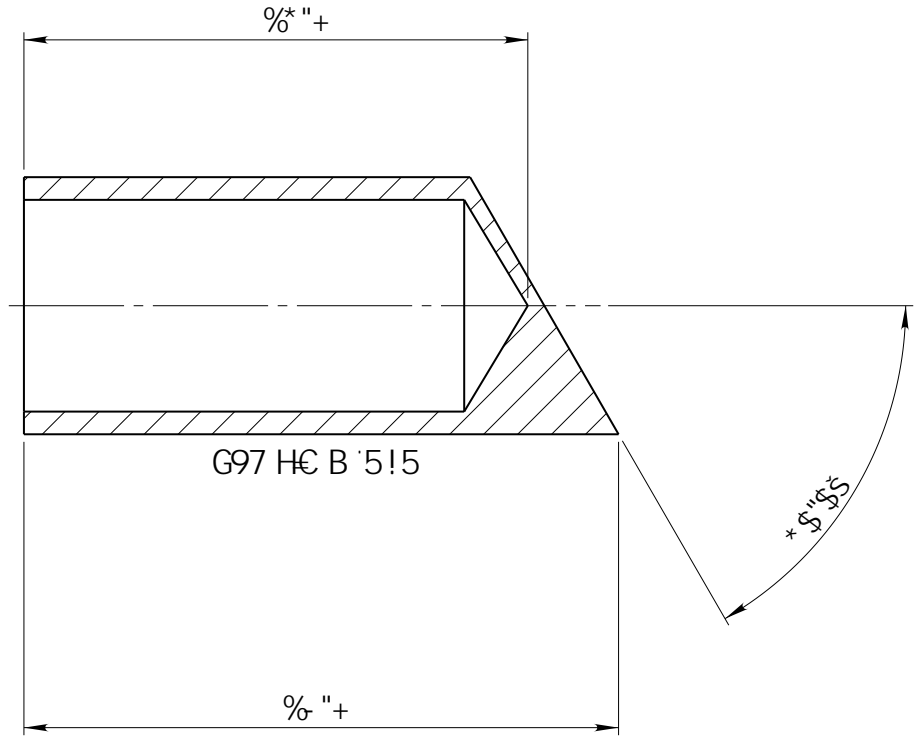
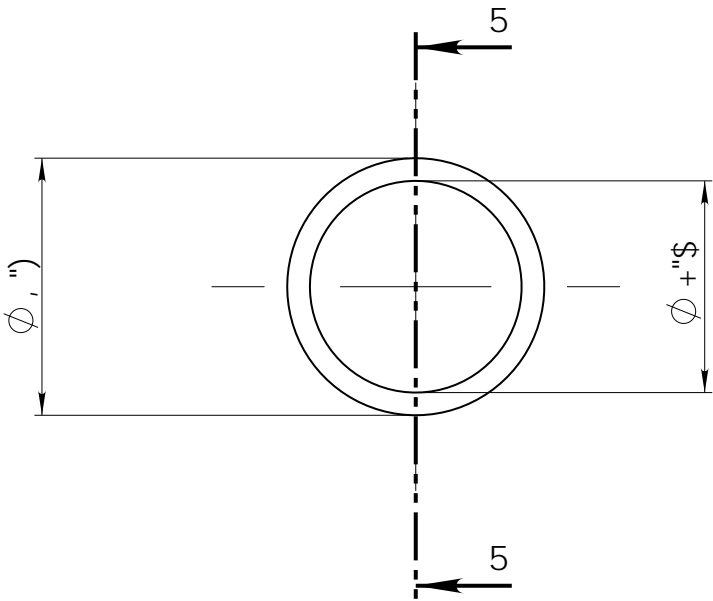


F9J "	89G7 F-DHC B	85H9	5DDFC J 98
5	B #H5 @GG 9	& #S* #&\$\$-	A FB



⑦ A UWX]bY '7 cbWXdh@X
 * :]Y`Xj]Yk ž'6Uf<]`
 7 Ua VfX [Yž'7 6&' ; GL"
 l b]hX '?'b[Xca
 HY` Ž((f\$E'%) (+, \$++&
 a]Y4 a UWX]bYWc bWXdhg"Vc"i _

5`X]a Ybg]cbgUfy]b'a a
 i bYggchYfk]g'gUWX"
 Bc`XYWd' ± '\$) a a
 %XYWd' ± '\$&a a
 &XYWd' ± '\$%a a
 ' XYWd' ± '\$\$) a a
 Ub[i 'Uf. ± '\$&°
 8C BCHG7 5@



' fX '5b['Y

Ö' AÖ'E
 A FB

T aæ' äæÉ

Ö' ä@É

5 @5 @@C M

B5H F5@

Ö@aAÖ'E
 BC H7 <97 ? 98

Öf] [ç' ä äææ

Väi'É

Öi' ä@É

H FB9F '*%7F5B?G<5: HD@ ;

6H% %

T [ä^ äæ ^
 WUb_gUZhdi [

Öæ'É
 &%#S#&\$\$-

Uæ^
 (.%)

Ü@^ä' { ä^É

5 (%cZ%