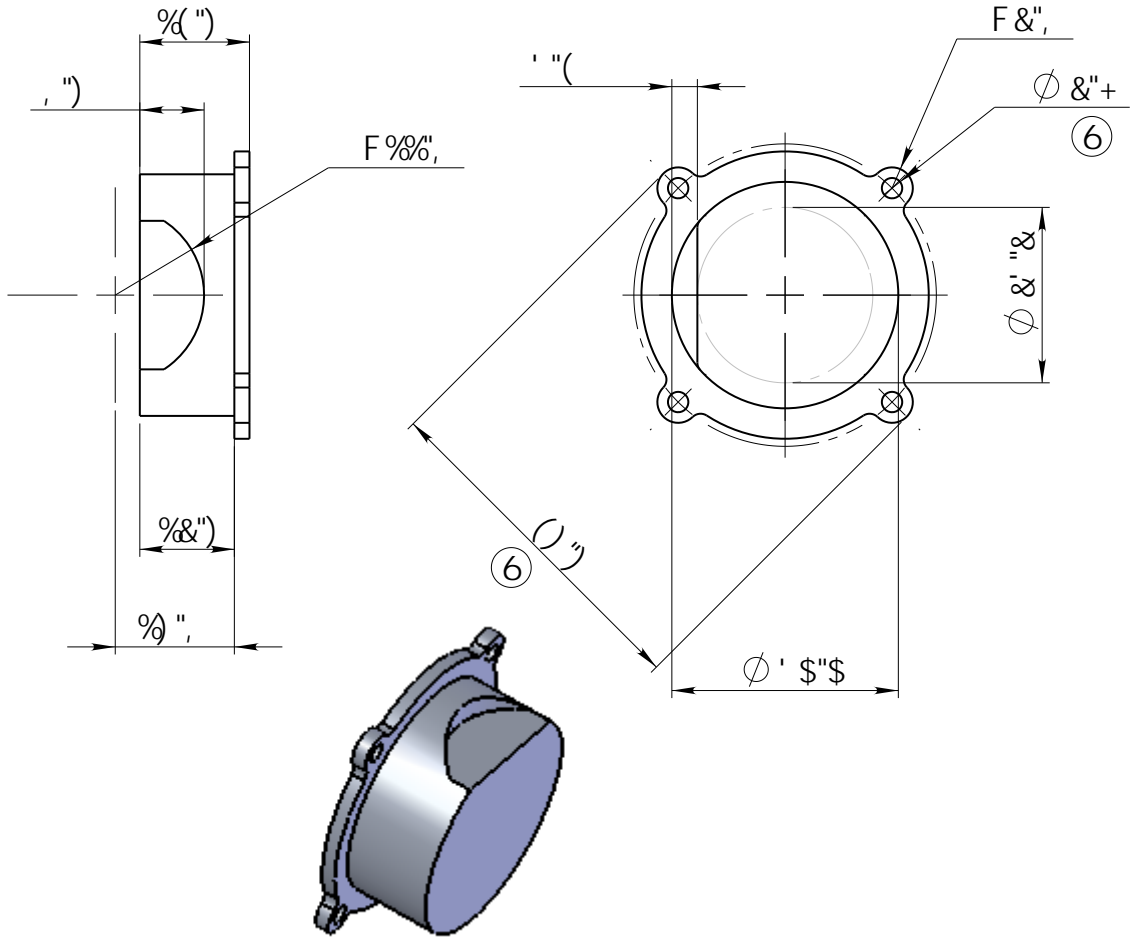
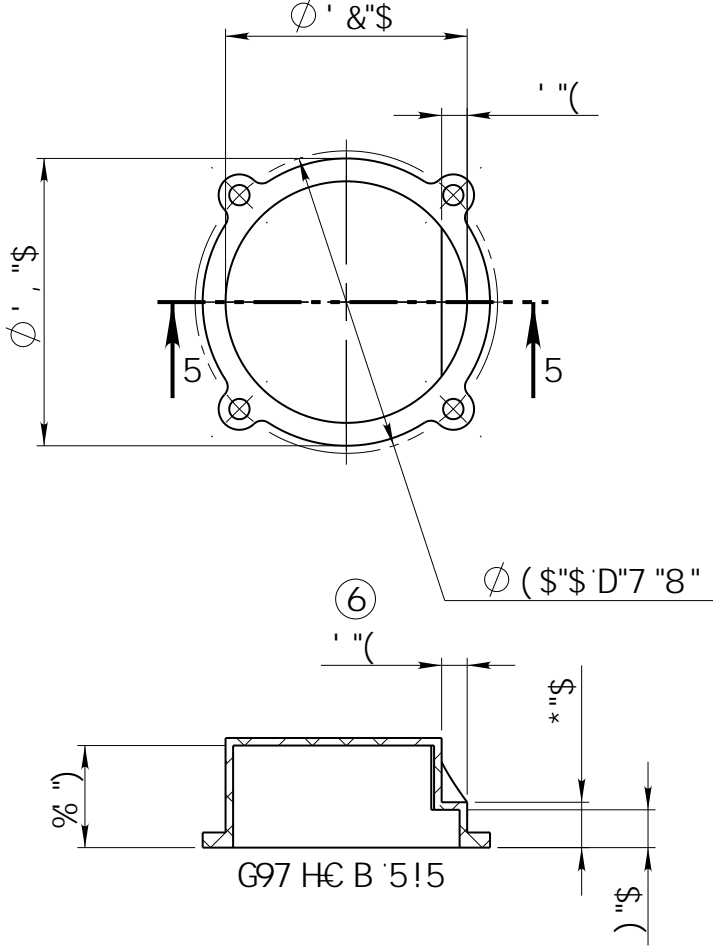
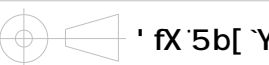


F9J "	89G7 F-DHC B	85H9	5DDFC J 98
6	8-A G1 D85H98	& # \$ * # & \$ \$ -	A FB



⑦ A UWX]bY '7 cbWXdh@X
 * :]Y`Xj]Yk ž'6Uf<]`
 7 Ua VfX [Yž'7 6&' ; GL"
 l b]hYX ?]b [Xca
 HY` Ž(('f\$Ł'%) (+, \$++&
 a]Y4 a UWX]bYWc bWXd hg"Wc "i _

5`X]a Ybg]cbgUfy]b'a a
 i bYggcHYfk]b' gUfX"
 Bc XYWd' ± \$') a a
 %XYWd' ± \$'&a a
 &XYWd' ± \$'a a
 ' XYWd' ± \$') a a
 Ub[i 'Uf. ± \$'&
 8C BCHG7 5@



0' A0' E
 A FB
 T a e' a e' E
 5 @5 @@C M
 0 a @ E
 B5H F5@

0 a @ E
 0 a @ E
 T [a ^ a e' ^
 VUW_d UHY
 0 a @ E
 &+ # \$ * # & \$ \$ -
 U a e' ^
 % %
 H FB9F '* % @ H @ G 657 ? D @ 5 H9
 0' A0' E
 6H % \$
 U a e' ^ * { a ^ E
 5 (% c Z %